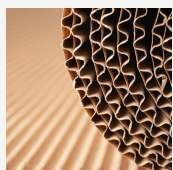
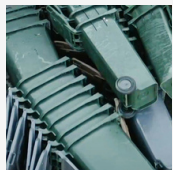


# WLK Jumbo / Super Jumbo

Part of WEIMA's Single-Shaft Shredder Series



robust shredders  
for large applications



overview

The WLK Jumbo / Super Jumbo shredders are designed to attack large-volume, demanding applications. The Jumbo / Super Jumbo series has set the standard for features, ruggedness, and functionality. These machines are suitable for a variety of applications.

applications

- large pipes
- foils in rolls
- big bags
- plastic crates
- garbage bins
- car bumpers
- hard plastics
- carpet
- textiles
- plastic film
- wood waste
- paper / cardboard
- electronic scrap
- purge / lumps

# Different materials?

We have the answer!

In order to grind different materials efficiently, expert know-how and experience is important. The spectrum of projects varies, because of the variety of materials, shapes, sizes, and degree of contamination.

It is important to match the application requirements to a customized machine in order to achieve optimal results. This is what the Jumbo / Super Jumbo line of single-shaft shredders has to offer.

## Material examples:

### Hard Plastics

- lumps
- purgings
- boxes
- mouldings
- plastic bins



### Paper + Cardboard

- waste paper
- cellulose
- documents
- packaging

### Fibers

- PA
- polyester
- aramid fibers
- glass fiber
- carbon fibers



### Pipes

- pipelines
- KG pipes
- AS pipes

### Wood

- pallets
- furniture
- hardwood + softwood
- chipboard
- MDF



### Film

- agricultural film
- BOPP film
- PVB film
- composite film

# Features and specifications

Special configurations available



## WEIMA gearbox

- In-house development for maximum toughness
- Torque control and vibration absorber



## Control cabinet

Optional touch-screen display and frequency drive



## Ram shock valve

- Absorbs ram shocks
- Protects cylinders



## Rotor + counter knives

Selected depending on application type and throughput requirements



## Lift-up screen basket

- Pivoted hydraulically
- Provides easy maintenance access
- Simplifies the process of changing the screen basket



## Rubber feet

For vibration control and shock absorption



## Offset bearing

- Dust-proof
- Sturdy design
- Maintenance friendly



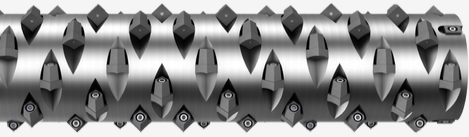
## Hydraulic drive

- Robust
- Extremely high torque at low power
- Control pump for variable speed
- Relationship with world-renowned hydraulics manufacturer

# Technical Drawings

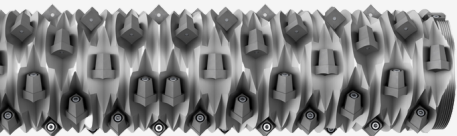
A quick look at the finer details

when it comes to  
rotor types,  
you've got options



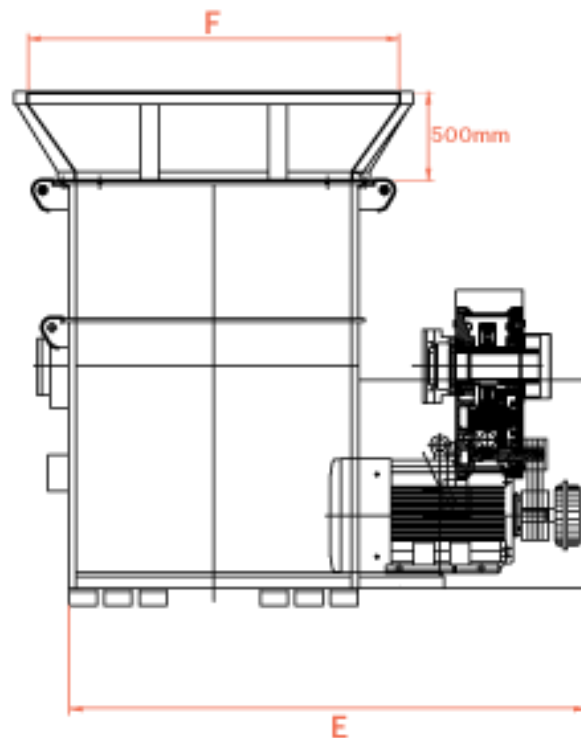
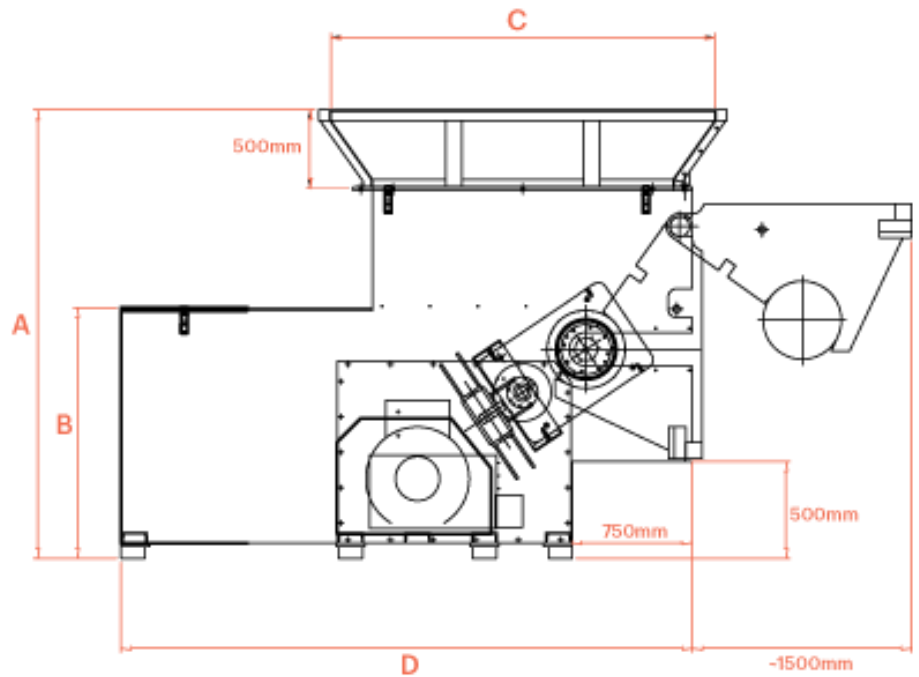
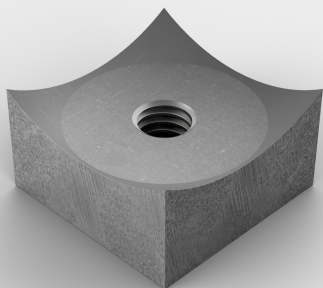
## F-Rotor:

- For difficult-to-shred textiles, fibers and film
- The F is for “filaments”
- Comes with bolted or welded knife holders.
- Extreme wear protection is available for more abrasive applications.



## V-Rotor:

- Versatile rotor type for many applications
- High-throughput, low-energy consumption
- Cutting gap adjustment
- Wear resistant and robust



**WEIMA offers a variety of knife types**, giving you more control over the shredding process. These **knives can be rotated up to three times** to maximize your investment in high-quality spare parts.

# Machinery specifications

## JUMBO SERIES

	WLK 15 J	WLK 18 J	WLK 20 J	WLK 25 J
Feed opening (in)	59 x 74	71 x 74	78.75 x 74	98.5 / 74
Feed opening (mm)	1,550 x 1,880	1,800 x 1,880	2,000 x 1,880	2,500 1,880
Hopper volume (m <sup>3</sup> )	4.5	5.4	6.0	7.5
Rotor diameter (in/mm)	19 / 482	19 / 482	19 / 482	19 / 482
Rotor width (in/mm)	59 / 1,500	71 / 1,800	78.75 / 2,000	98.5 / 2,500
Power (hp)	120 / 150 / 180	120 / 150 / 180	150 / 180 / HYD	180 / HYD
Knife count (at 40/60/80 mm)	123 / 44 / 30	147 / 52 / 36	165 / 58 / 42	207 / 74 / 52
Approx. weight (lbs/kg)	27,500 / 12,500	33,000 / 15,000	36,500 / 16,500	45,000 / 20,500
A (in/mm)	106.3 / 2,700	106.3 / 2,700	106.3 / 2,700	106.3 / 2,700
B (in/mm)	57.3 / 1,455	57.3 / 1,455	57.3 / 1,455	57.3 / 1,455
C (in/mm)	94.5 / 2,400	94.5 / 2,400	94.5 / 2,400	94.5 / 2,400
D (in/mm)	140.2 / 3,560	140.2 / 3,560	140.2 / 3,560	140.2 / 3,560
E (in/mm)	109.3 / 2,775	121.1 / 3,075	129 / 3,275	148.6 / 3,775
F (in/mm)	79.5 / 2,020	91.35 / 2,320	99.2 / 2,520	118.9 / 3,020

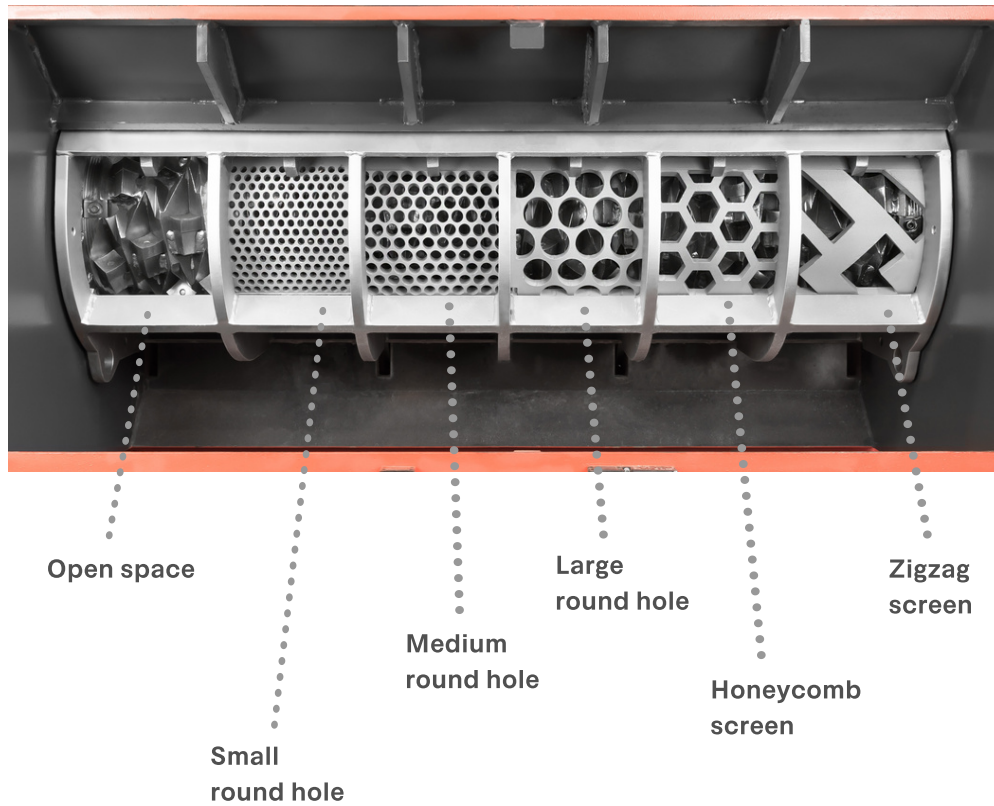
These measurements are to be used as a guide only and are subject to slight changes. The throughput rate depends on material and screen size. Special configurations are available.

## SUPER JUMBO SERIES

	WLK 15 SJ	WLK 20 SJ	WLK 25 SJ	WLK 30 SJ
Feed opening (in)	59 x 76	78.75 x 76	98.5 x 76	118.25 x 76
Feed opening (mm)	1,500 x 1,930	2,000 x 1,930	2,500 x 1,930	3,000 x 1,930
Hopper volume (m <sup>3</sup> )	4.8	6.4	8.0	9.6
Rotor diameter (in/mm)	23.6 / 600	23.6 / 600	23.6 / 600	23.6 / 600
Rotor width (in/mm)	59 / 1,500	78.75 x 2,000	98.5 x 2,500	118.25 x 3,000
Power (hp)	120 / 150 / 180	180 / HYD	HYD	HYD
Knife count (at 40/60/80 mm)	123 / 66 / 46	165 / 87 / 52	207 / 111 / 77	249 / 135 / 93
Approx. weight (lbs/kg)	31,500 / 14,250	42,000 x 19,000	53,000 / 24,000	63,000 / 28,500
A (in)	111 / 119	111 / 119	111 / 119	111 / 119
A (mm)	2,820 / 3,020	2,820 / 3,020	2,820 / 3,020	2,820 / 3,020
B (in)	61.6 / 69.5	61.6 / 69.5	61.6 / 69.5	61.6 / 69.5
B (mm)	1,565 / 1,765	1,565 / 1,765	1,565 / 1,765	1,565 / 1,765
C (in/mm)	97.25 / 2,470	97.25 / 2,470	97.25 / 2,470	97.25 / 2,470
D (in/mm)	141.75 / 3,600	141.75 / 3,600	141.75 / 3,600	141.75 / 3,600
E (in/mm)	109.6 / 2,785	129.3 / 3,285	152.6 / 3,785	168.7 / 4,285
F (in/mm)	80.3 / 2,040	100 / 2,540	119.7 / 3,040	139.4 / 3,540

# One size does not fit all!

Fine-tuning shredder features for optimal throughput.



WEIMA offers a variety of screens for the WLK Series shredders.

These screens give customers more control over the size and speed of the material throughput.



WEIMA's extensive line of shredders and grinders offer small shops and large operations an opportunity to streamline workflows and rethink production scrap.

# WEIMA: Your partner for the long haul

We know what it takes to keep your shredder running at peak performance.



Welcome to the  
WEIMA family!

Over

**40 years**

of experience in  
manufacturing  
and service.



Support  
available on

**6 continents!**



[parts@weima.com](mailto:parts@weima.com)

[service.us@weima.com](mailto:service.us@weima.com)



We have authentic WEIMA parts for your machines-- in-stock and ready to ship.



Support can be reached via phone, e-mail, video chat, or in person!



Start-up and training materials are available to ensure you are prepared to run your shredder.



Our experienced support team can answer even the most specific questions regarding your machine and its operation.



WEIMA technicians can travel to you for maintenance, team training, or troubleshooting.



Made in Germany.  
**Built for the world.**

