

MARK-COSTELLO

MC

“BIG-MOUTH”

Apartment Compactor



THE MARK-COSTELLO CO.

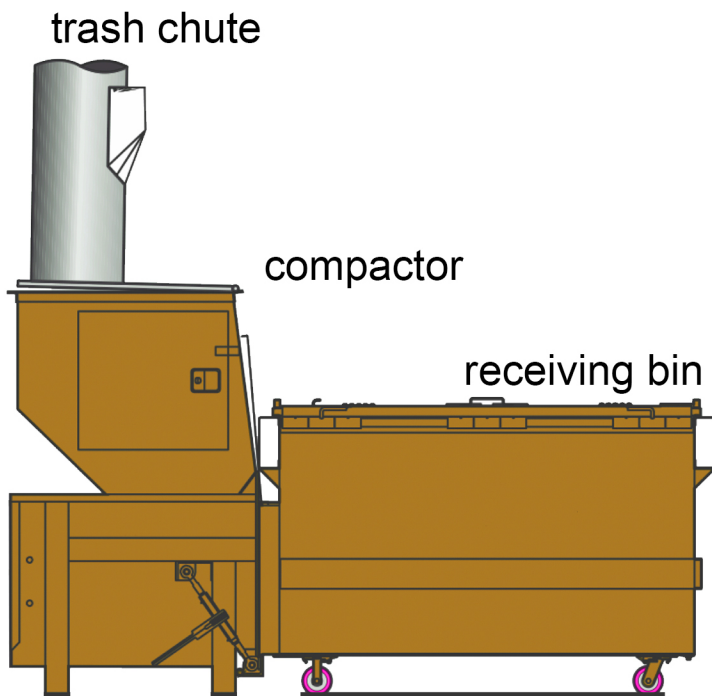
Systems and Solutions Since 1956

MC BIG-MOUTH Features:

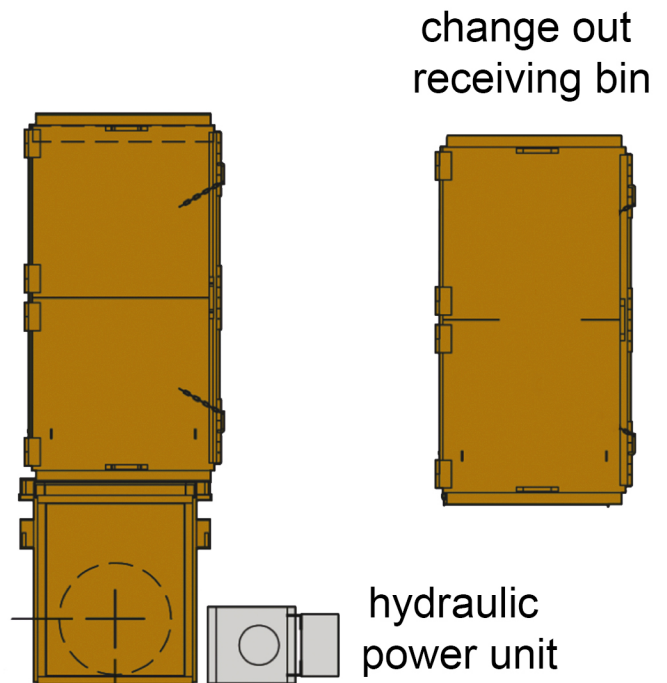
- Full container indicator light
- Single-sided ratchet mechanism
- Optional single-phase power units available
- Access door with safety interlock mechanism
- Computerized control system (no limit switch required)
- Photoelectric sensor for automatic compactor activation
- Automatic shutdown feature for blocked photoelectric sensor
- Startup alarm with integrated strobe light for visual and audible alerts
- Push button control interface mounted on the panel face or with 12' stalactite cable
- Hopper with access door and interlock, designed for hand-feed or chute-feed operations



Systems and Solutions Since 1956

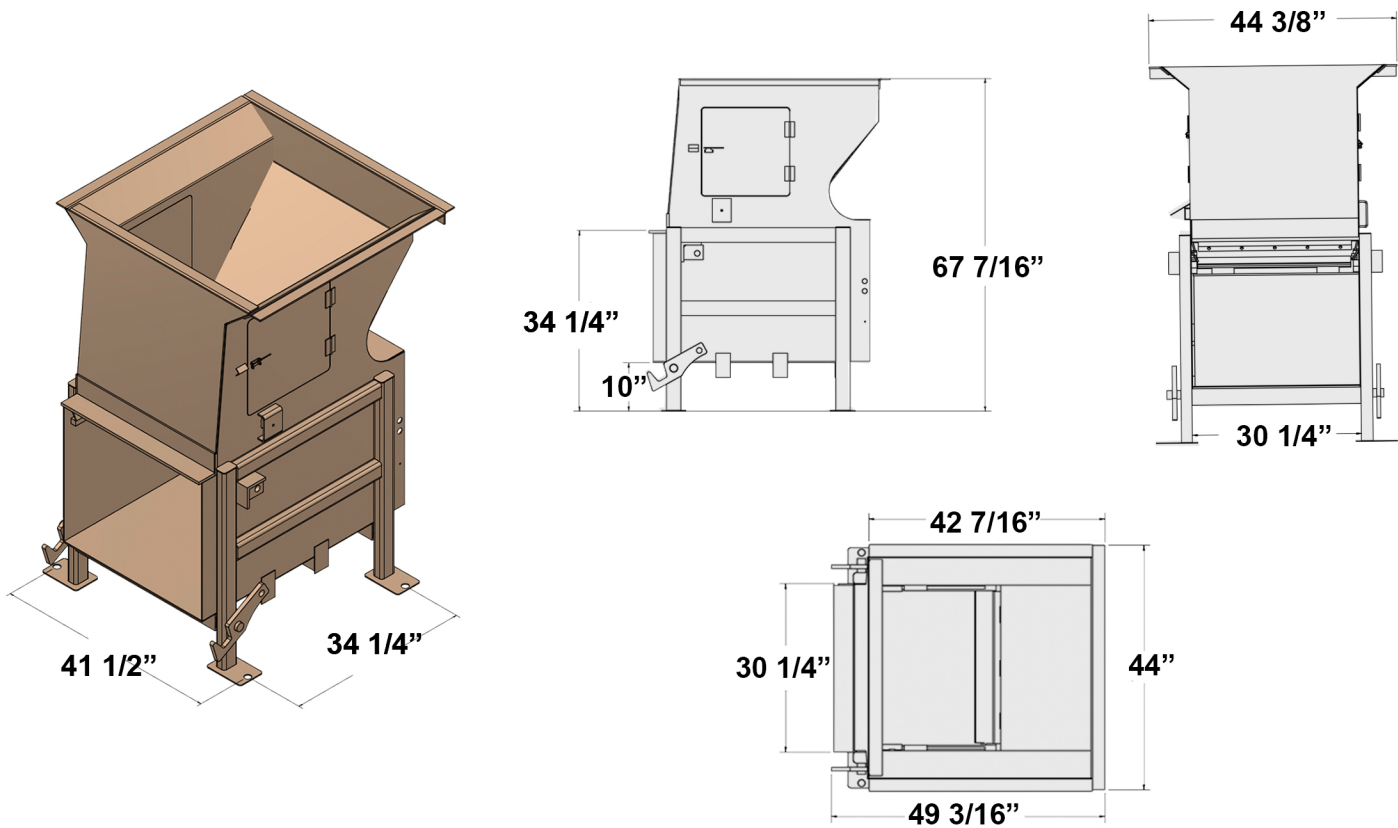


Elevation View

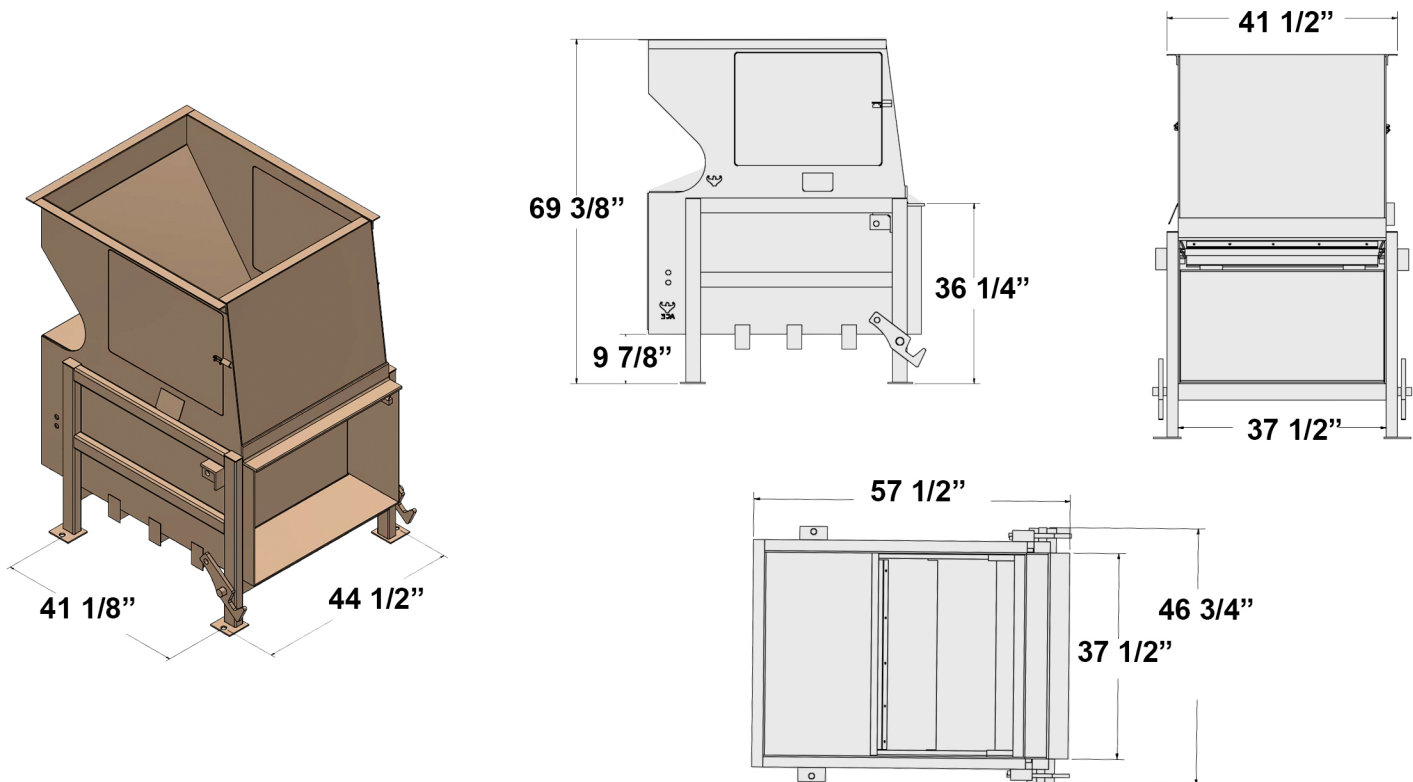


Plan View

Dimensions of MC BIG-MOUTH .5 :



Dimensions of MC BIG-MOUTH 1 :



MARK-COSTELLO

Specifications

MC BM .5

Specifications	
Clear Top	30" x 24"
Charge Box	0.39 Cubic Yard
Structural	
Charge Box Sides	1/4"
Charge Box Floor	3/8"
Ram Face Plate	3/8"
Ram Bottom	3/8"
Electrical Specs	
Electric Motor	3HP
Standard Controls	4
Phase/ 60 HZ. 208/230/460 VAC	3
Performance	
Cycle Time	29 Seconds
Maximum Force	17,800 lbs
Ram Penetration	5"
Weight	1,800 lbs

MC BM 1

Specifications	
Clear Top	37x32
Charge Box	0.75 Cubic Yard
Structural	
Charge Box Sides	1/4"
Charge Box Floor	3/8"
Ram Face Plate	3/8"
Ram Bottom	3/8"
Electrical Specs	
Electric Motor	5HP
Push Button Control w. Full/Fault Indicators	2
Phase 208/230/480	3
Performance	
Cycle Time	28 Seconds
Maximum Force	17,800 lbs
Ram Penetration	6"
Weight	2200 lbs

Heavy duty bin and casters



The Mark-Costello Company

Systems & Solutions Since 1956

15351 Texaco Avenue

Paramount, CA 90723

+1 (562) 630-7950 www.mark-costello.com

